

IEC appliance outlet J, snap-in/screw-on mounting, front side, solder/quick connect terminal

new



Snap-In Version



Screw-On Version

**Description**

- Panel Mount:
Snap-in or screw-on mounting, from front side
- 1 Function:
Outlet, Pin temperature 70 °C Protection class I
- Solder terminals or quick connect terminals Substitute for type 0723

Approvals

- UL License Number: E103791

Characteristics

- Qualified for use in equipment according IEC/EN 60950

Other versions on request

- Other panel thickness
- For protection class II

Weblinks

[Approvals](#), [RoHS](#), [CHINA-RoHS](#), [e-Store](#), [SCHURTER-Stock-Check](#), [Distributor-Stock-Check](#)

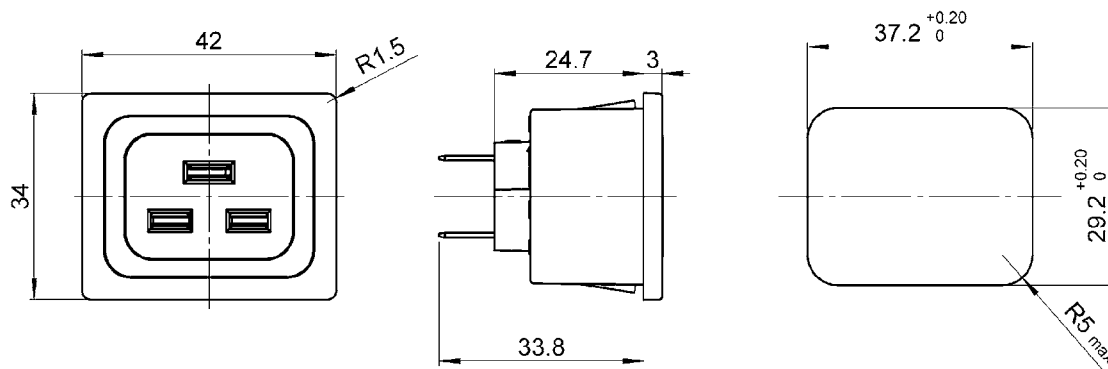
Technical Data

Ratings IEC	16A / 250VAC; 50Hz
Ratings UL/CSA	20A / 250VAC; 60Hz
Dielectric Strength	> 2.5kVAC between L-N > 3kVAC between L/N-PE (1 min/50Hz)
Allowable Operation Temp.	-25 °C to 70 °C
Protection Class	Suitable for appliances with protection class I or II acc. to IEC 61140
Terminal	Solder terminals or quick connect terminals
Panel Thickness s	Screw-on: max 8 mm Mounting screw torque max 0.5Nm Snap-in: 0.8 mm to 3 mm
Material: Housing	Thermoplastic, black, UL 94V-0

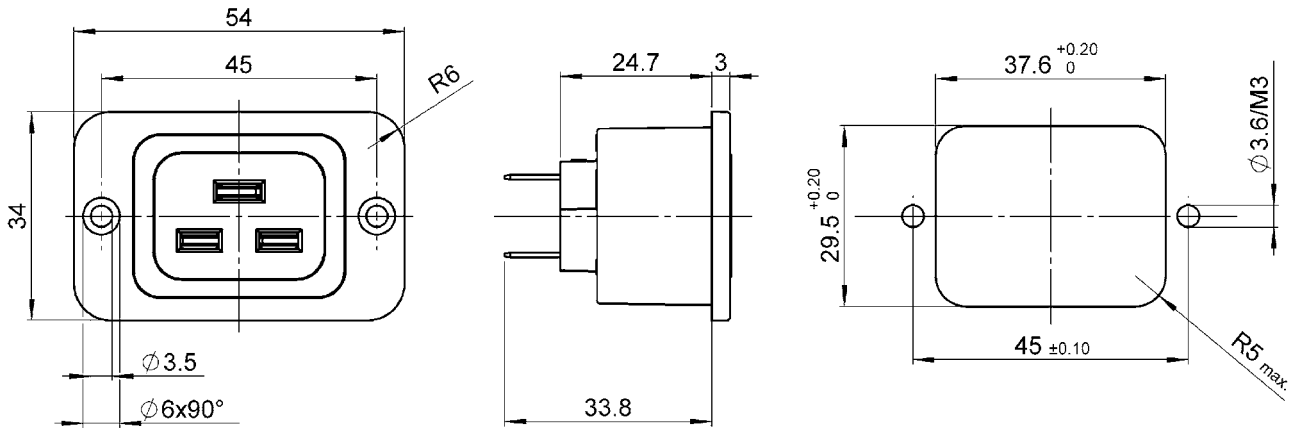
Appliance-Inlet/-Outlet	J acc. to IEC/EN 60320-2-2 UL 498, CSA C22.2 no. 42 (for cold conditions) pin-temperature 70 °C, 16A, Protection class I
-------------------------	---

Dimensions

Snap-in mounting



Screw-on mounting



Variants

Distributor-Stock-Check | SCHURTER-Stock-Check | e-Store

Panel mounting	Panel Thickness s [mm]	Terminal	Protection Class	Order Number
Screw-on	-	Quick connect terminals 6.3 x 0.8 mm	I	4797.0000
Snap-in	1	Quick connect terminals 6.3 x 0.8 mm	I	4797.0010
Snap-in	1.2	Quick connect terminals 6.3 x 0.8 mm	I	4797.0012
Snap-in	1.5	Quick connect terminals 6.3 x 0.8 mm	I	4797.0015
Snap-in	2	Quick connect terminals 6.3 x 0.8 mm	I	4797.0020
Snap-in	2.5	Quick connect terminals 6.3 x 0.8 mm	I	4797.0025
Snap-in	3	Quick connect terminals 6.3 x 0.8 mm	I	4797.0030
Screw-on	-	Solder terminals	I	4797.3000
Snap-in	1	Solder terminals	I	4797.3010
Snap-in	1.2	Solder terminals	I	4797.3012
Snap-in	1.5	Solder terminals	I	4797.3015
Snap-in	2	Solder terminals	I	4797.3020
Snap-in	2.5	Solder terminals	I	4797.3025
Snap-in	3	Solder terminals	I	4797.3030

Packaging unit 50 Pcs

Accessory

Description



Assorted Covers
Rear Cover

0859.0075



Cord retaining kits
Cord retaining strain relieve

Countersunk, J
Flat head, L

4700.0009

4700.0011